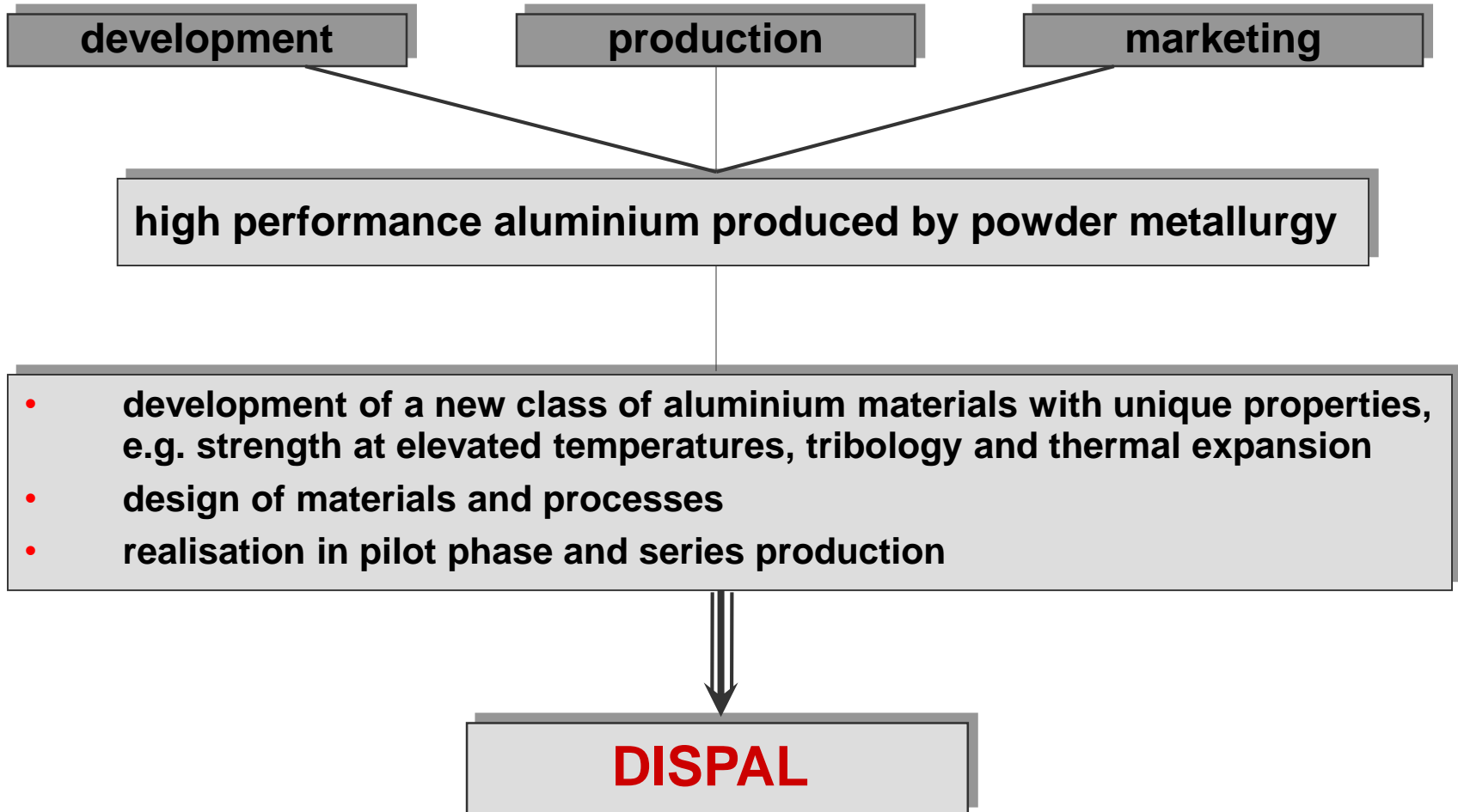
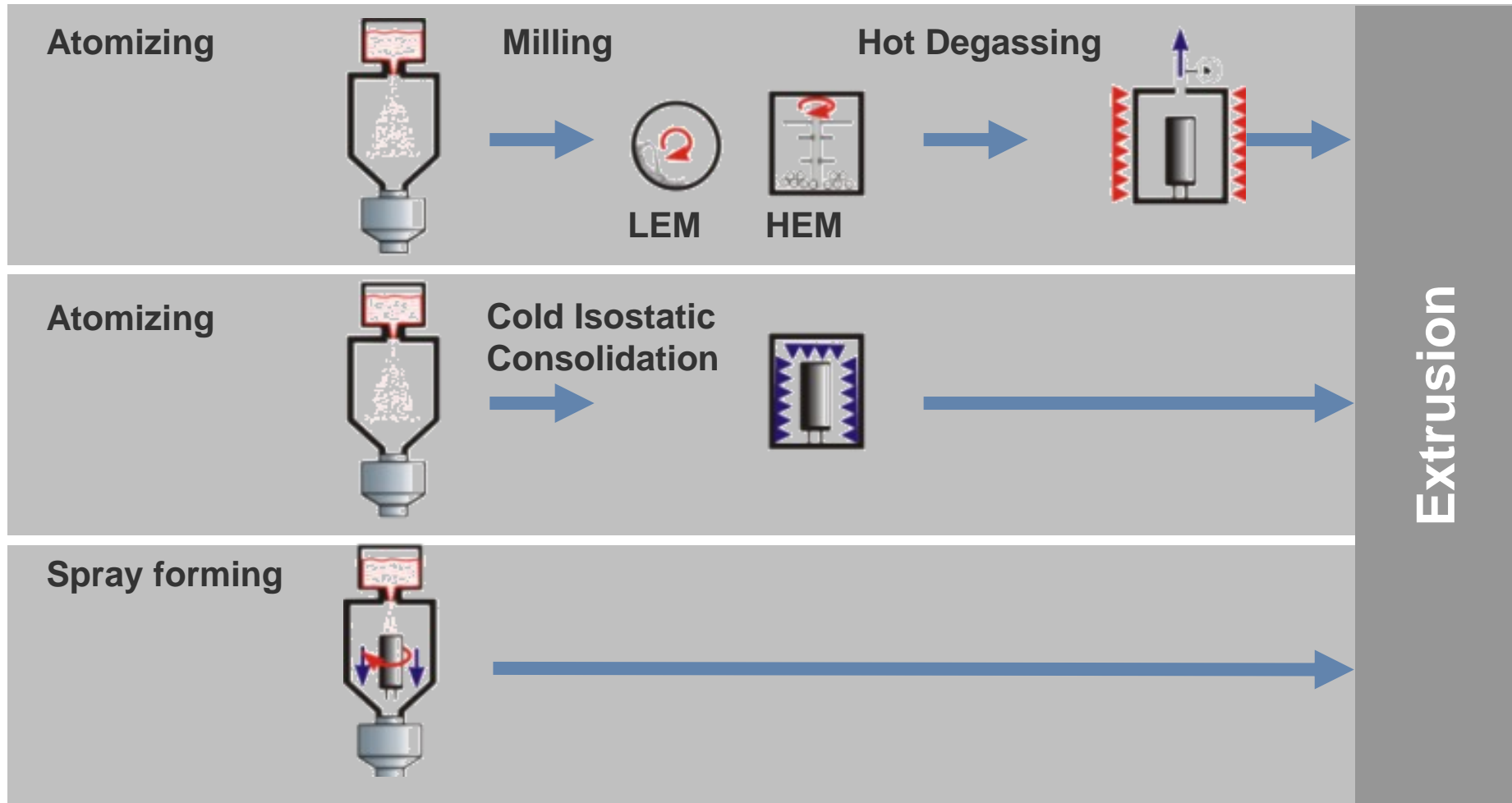


Subject of DISPAL Technology



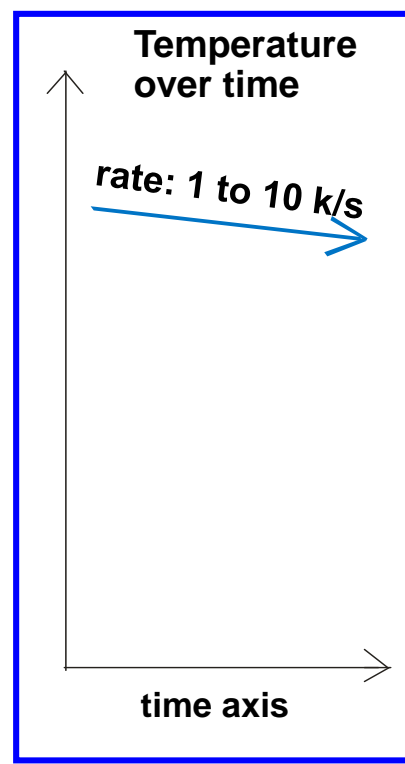
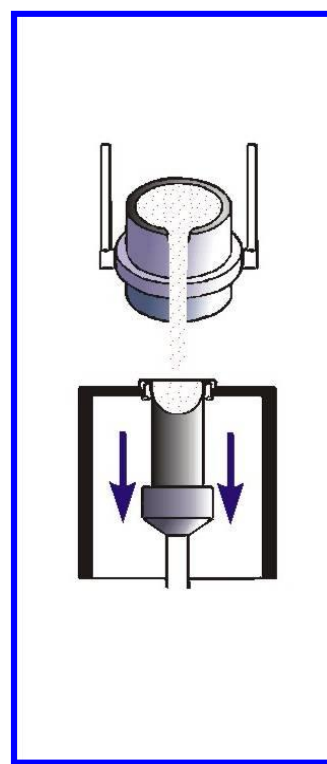
Spray Forming – Comparison to Powder Metallurgical

Erbslöh
Aluminium GmbH

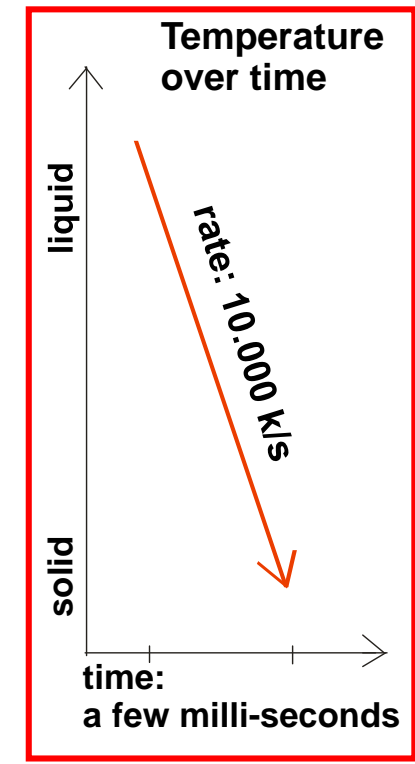
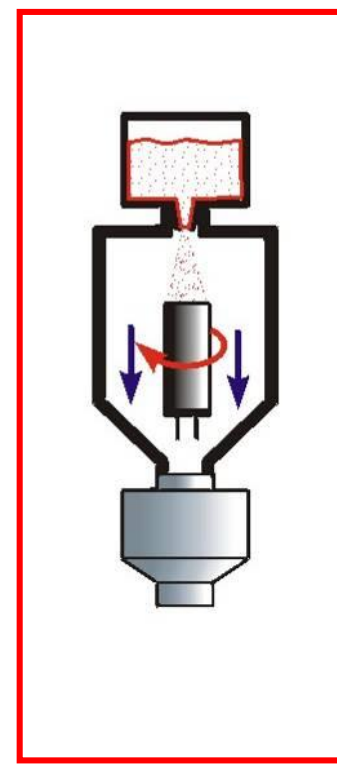


Rapid solidification in powder metallurgy

Metal Casting:
slow cooling down of the melt

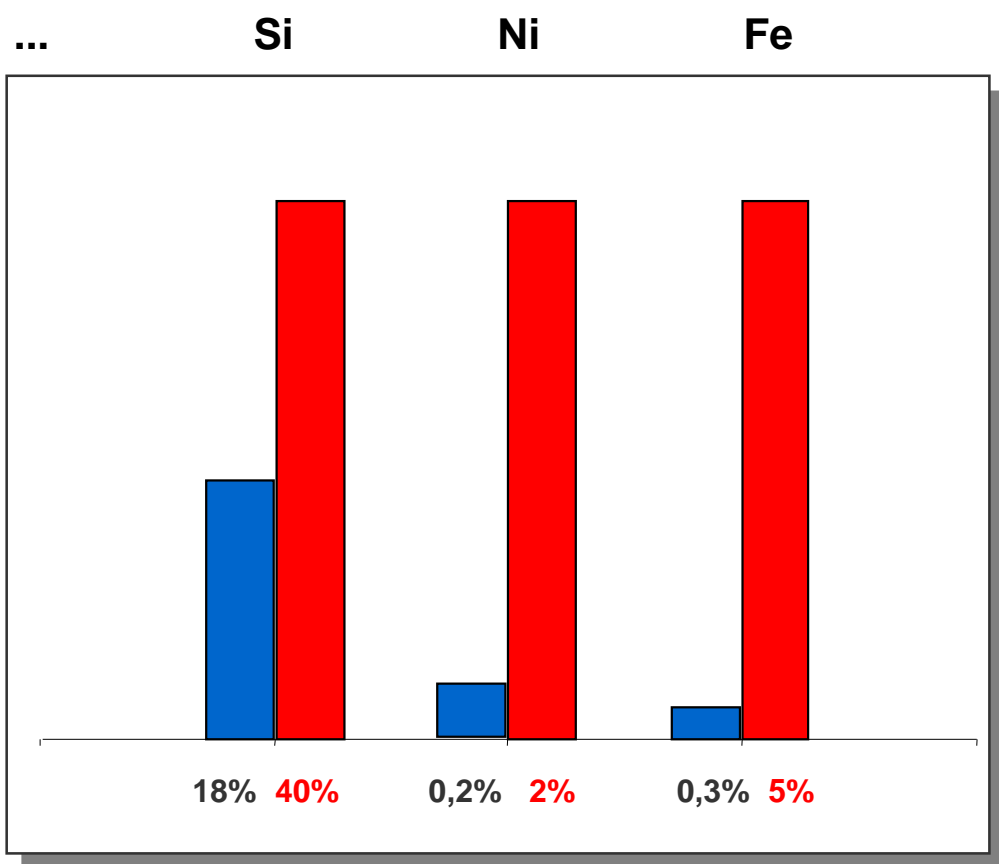


Spray Compaction:
rapid solidification of melt



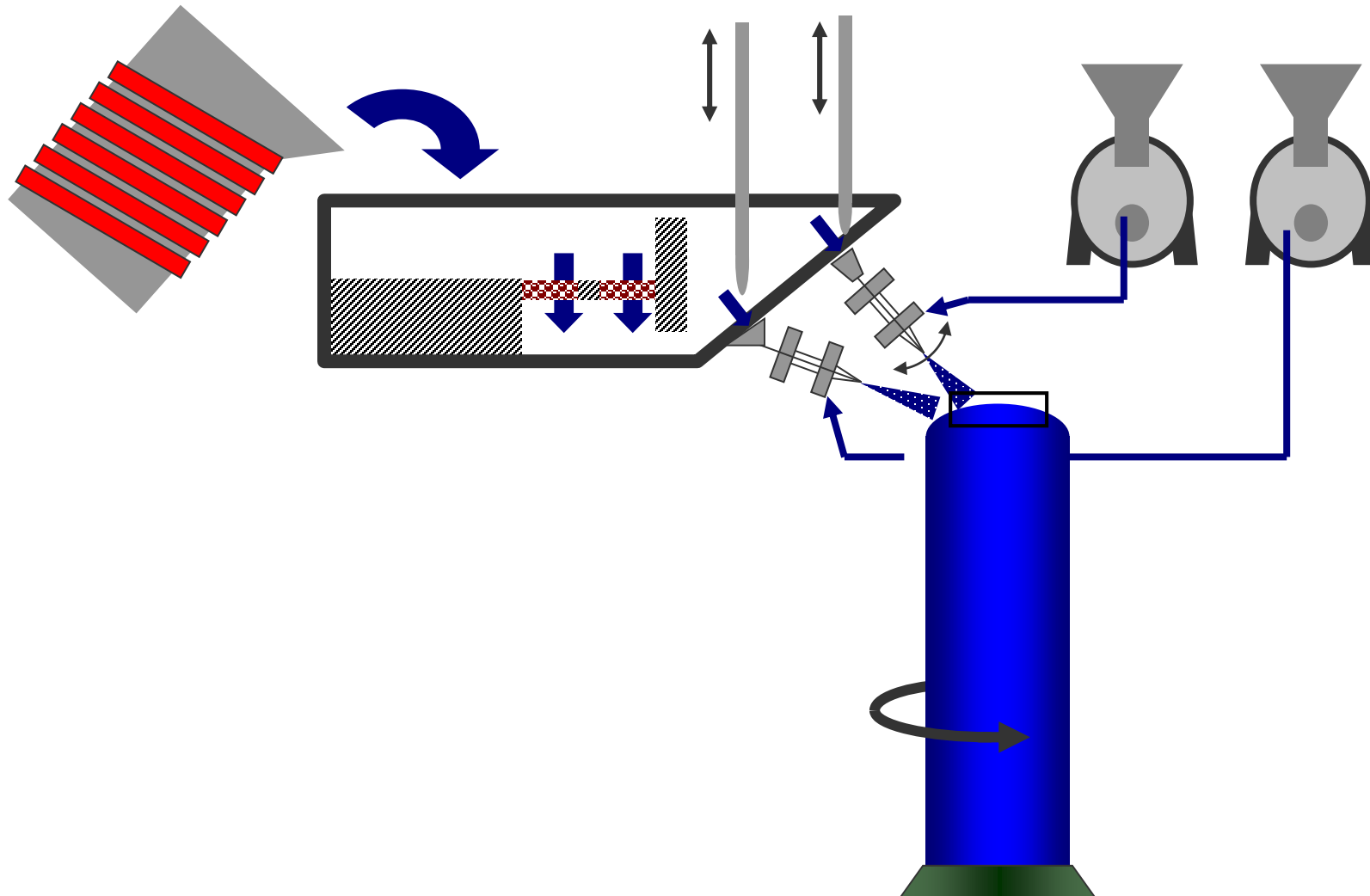
The High-Alloyed Melt

Some elements as an example ...

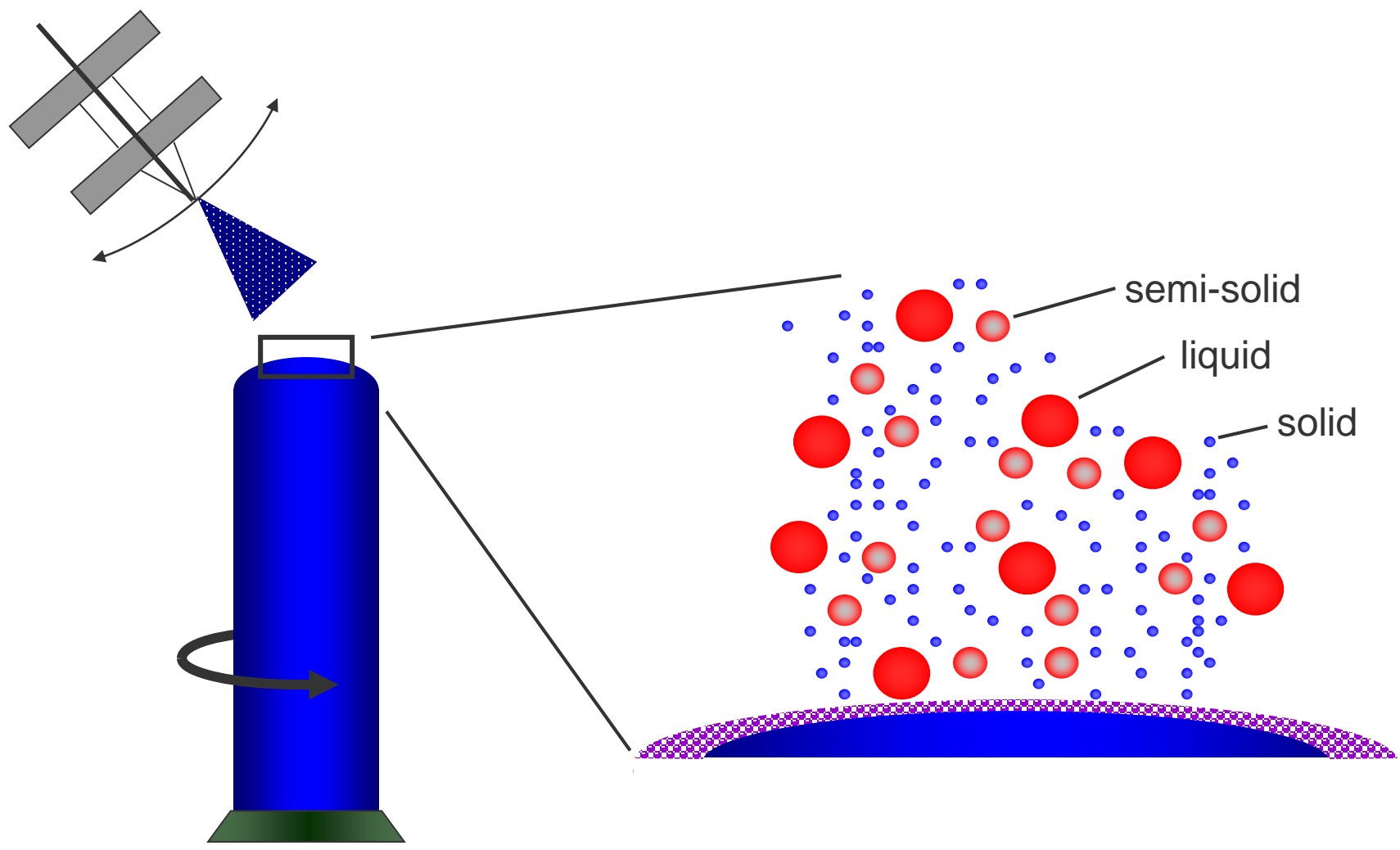


Contents of alloy elements
of DISPAL® (red)
and conventional Al alloys
(blue)

The principle of spraycompaction



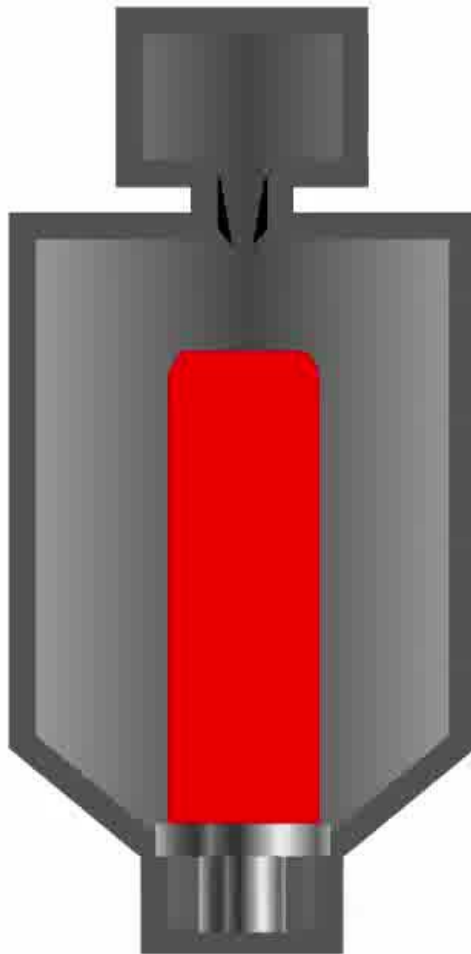
Atomizing and Compaction



Spray Compaction

Erbslöh
Aluminium GmbH

Spray Forming



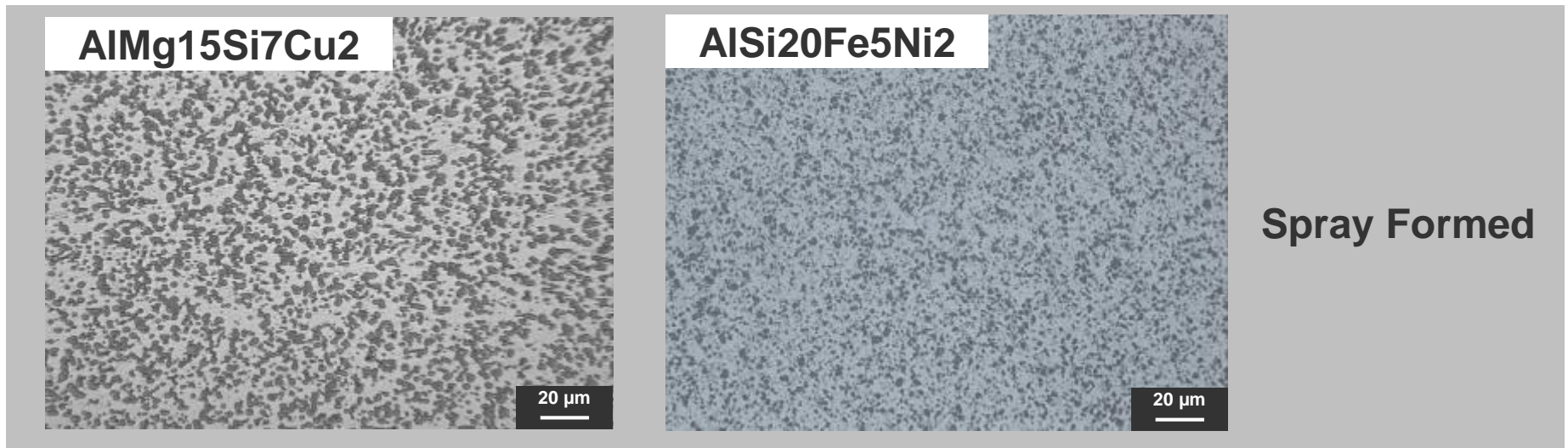
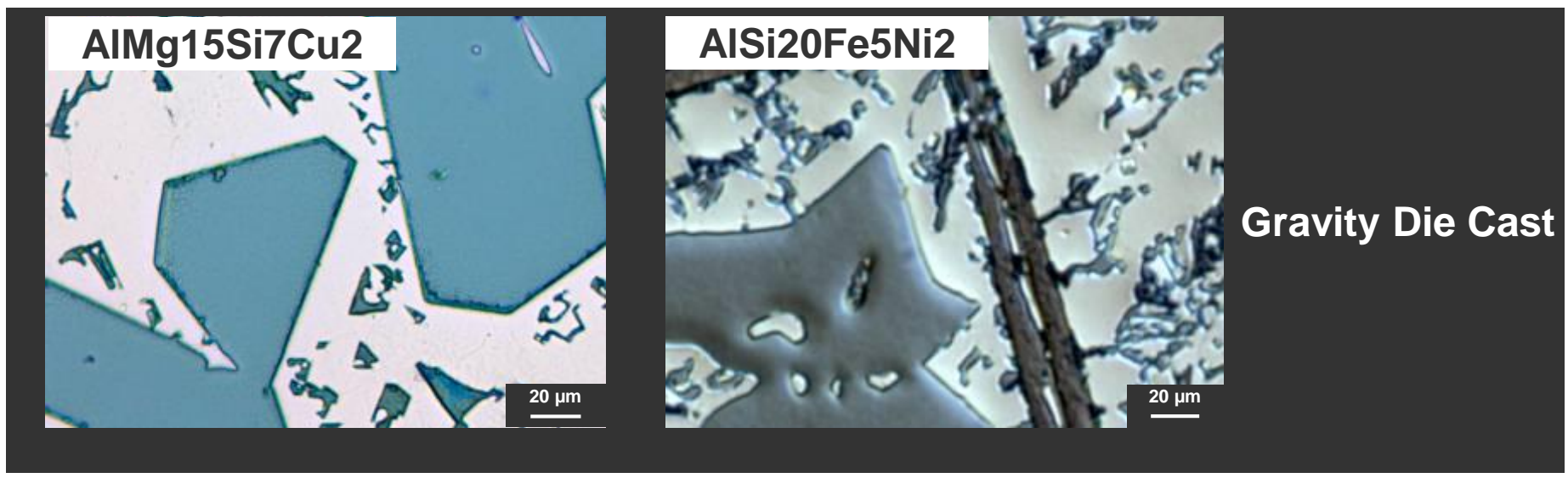
Velbert / Germany and St. Avoird / France

Erbslöh
Aluminium GmbH

Spray Forming – Reality



Spray Forming – Microstructure slowly vs. rapidly solidified





Innovation



is our strength !